

## Rocmount ProM CAF – Cool Air Flow Fan System for Rocmount for All Rackmount Units

1. Install the ProM-CAF fan assembly onto the computer mounting bracket using the four (4) screws provided with the rubber gasket surface facing the MAC® PRO (See Figure 1).

The rear surface of the MAC® PRO should be touching (Or very close to) the rubber gasket surface. Plug the fan AC power cord into 120VAC source.

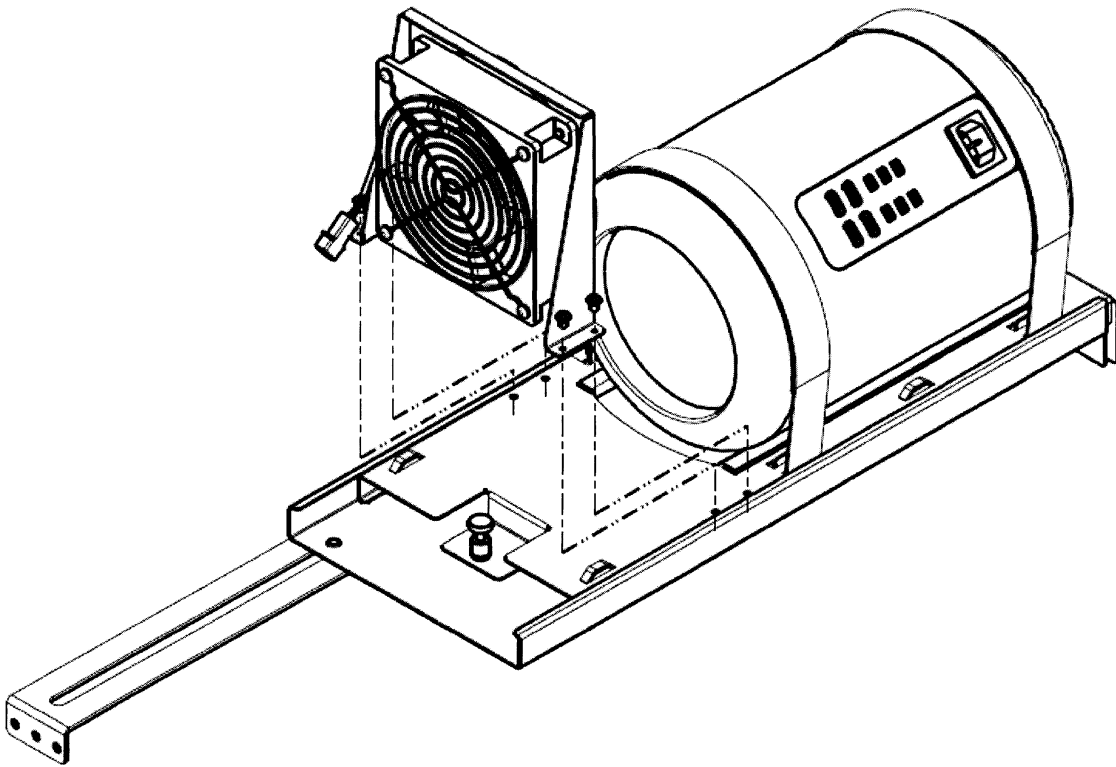


Figure 1