

2. Install the MAC® PRO onto the computer mounting bracket using the clamps provided, using a flat horizontal work surface such as a desk or workbench. Make sure the thumbscrews are tight and the MAC® PRO is secure. (See Figure 3.) A pictorial of assembling the MAC® PRO into its bracket while resting on a horizontal surface is shown in Figure 2.

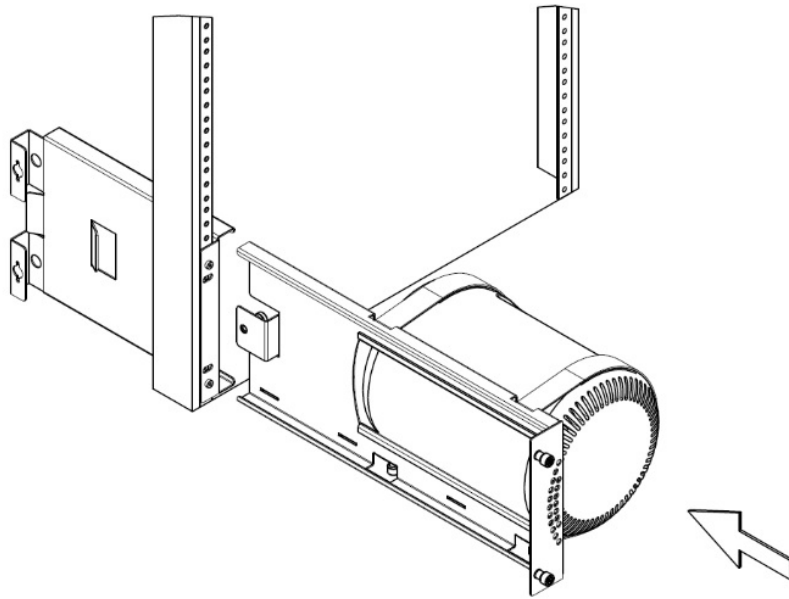


Figure 6