

Rocmount ProM RM – Rack Mount with Extended Full Bracket

1. Install the MAC® PRO onto the computer mounting bracket using the clamps provided, using a flat Horizontal work surface such as a desk or workbench. (See Figure 1) Make sure the thumbscrews are tight and the MAC® PRO is secure. A pictorial of assembling the MAC® PRO into its bracket while resting on a horizontal surface is shown. (See Figure 1)

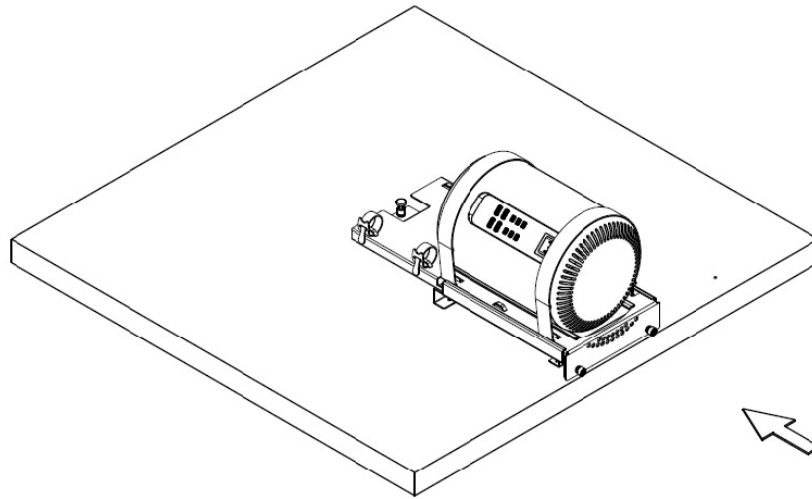


Figure 1

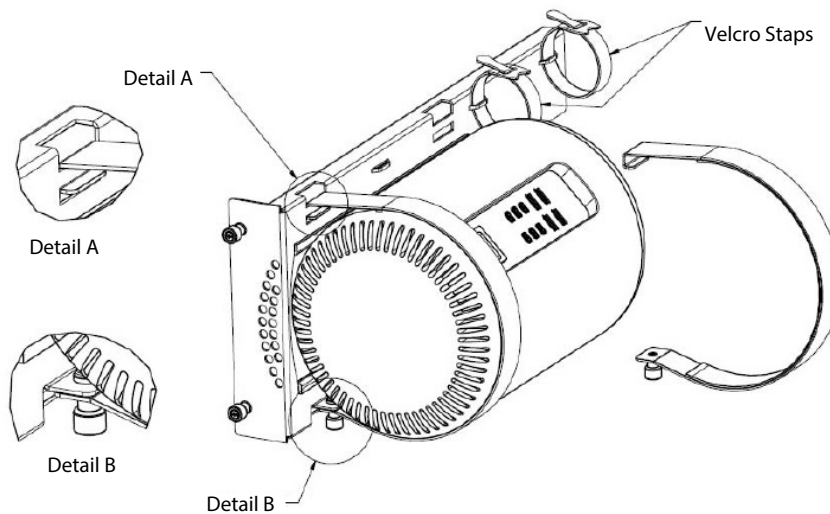


Figure 2

- Using the Prom-RM hardware kit, remove and install the four (4) 10-32 Cage Nuts onto the rack (2 in the front and 2 in the rear) at the location the MAC® PRO unit is to be installed. (See Figure 3.)

NOTE: THIS BRACKET CAN BE INSTALLED ONTO EITHER SIDE OF THE RACK/CABINET

- Using the ProM bracket with the slide attached and the four (4) 10-32 Phillips Head s Truss screws, install the bracket to the front of rack and then slide to the rear of the rack. (See figure 3)

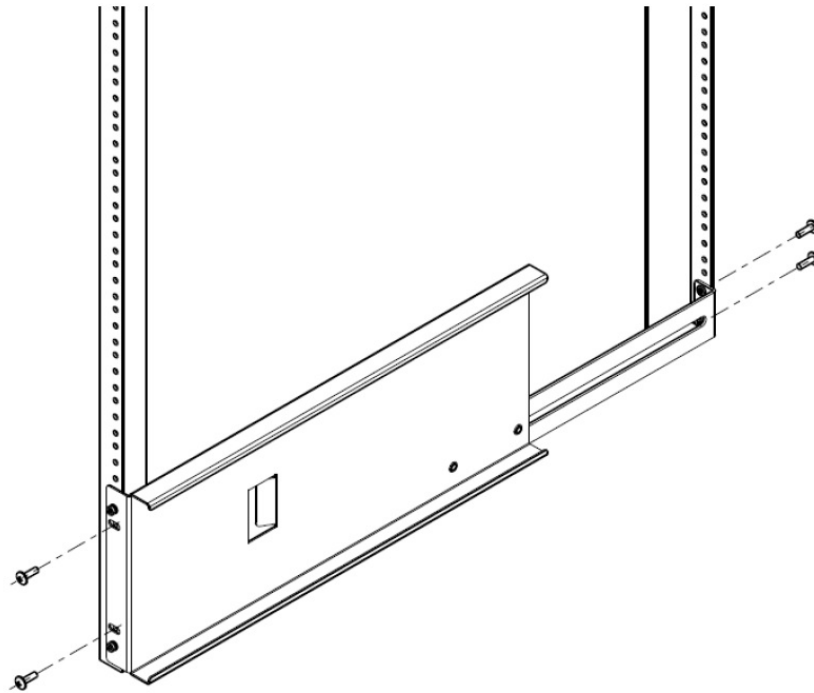


Figure 3

4. Carefully slide the ProM bracket assembly into the mounted bracket. Using the two thumbscrews on the front of the bracket assembly, tighten thumbscrews into the mounting bracket. (See Figure 4)
5. Install external cables and tie along the mounting bracket using Velcro straps provided as shown. (See Figure 2)

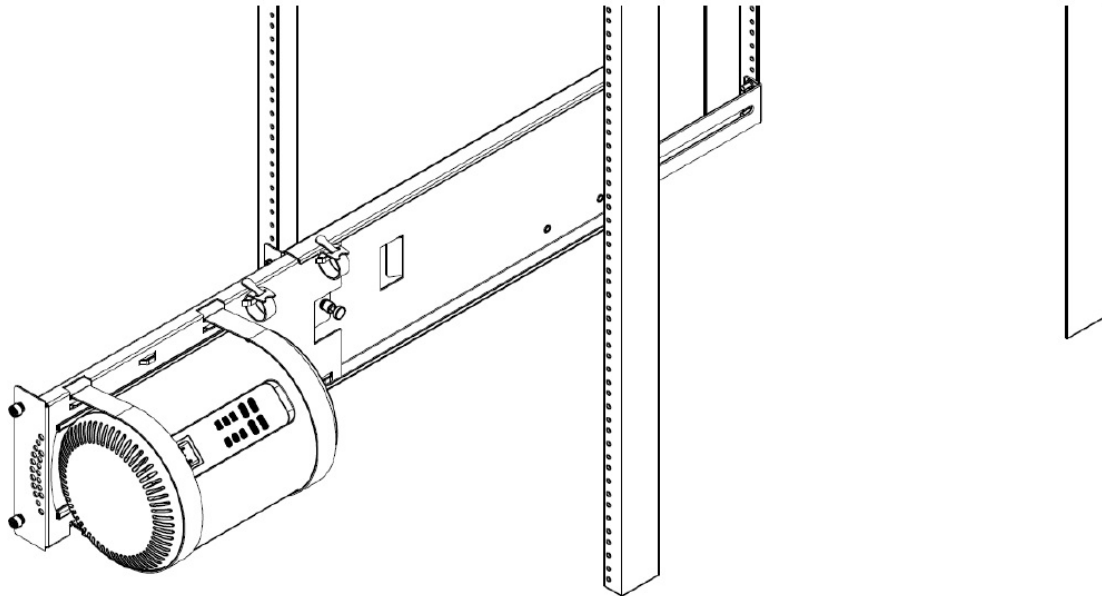


Figure 4