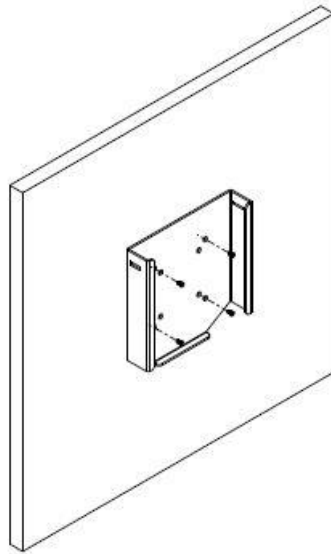


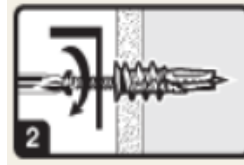
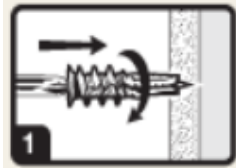
Rocmount® MM1 Mac® Mini Installation Instructions

Drywall Mounting:

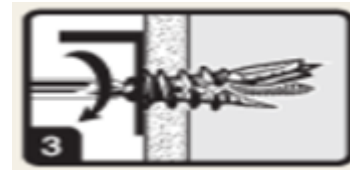
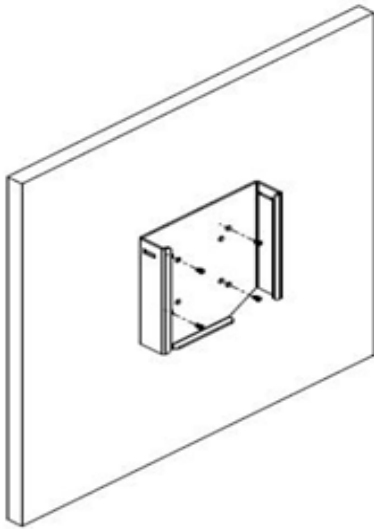
1. Using the Rocmount MM mounting bracket, place at the location where the bracket is to be mounted and mark the four mounting-hole locations you are going to use.



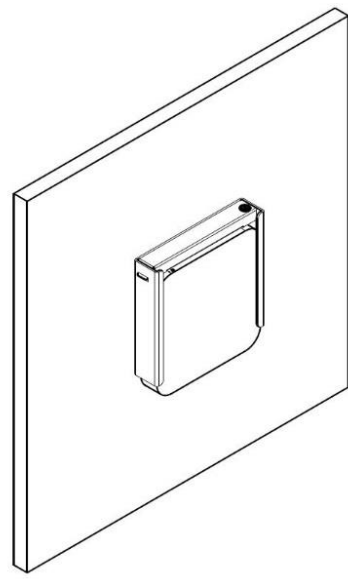
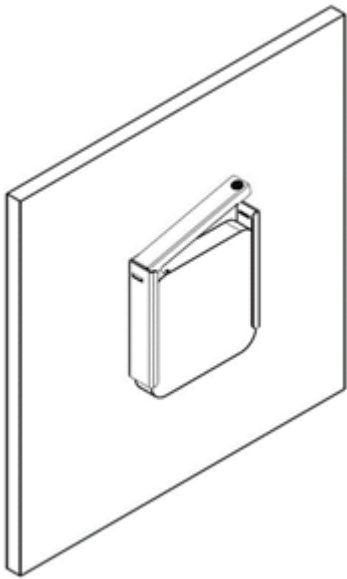
2. Using a #2 Phillips screwdriver, press E-Z Anchor into drywall turning the anchor clockwise until it is seated flush with the wall. (Image #1) Install the mounting screws (#6 sheet metal screws provided) into the E-Z Anchors leaving enough room to place the mounting bracket onto the screws. (Image #2)



3. Place the Rocmount MM Bracket over the E-Z Anchors and using a #2 Phillips screwdriver and #8-18 X 1 ¼ inch long sheet metal screw, tighten the mounting screws into the E-Z Anchors until bracket is tight to the wall. (Image #3)



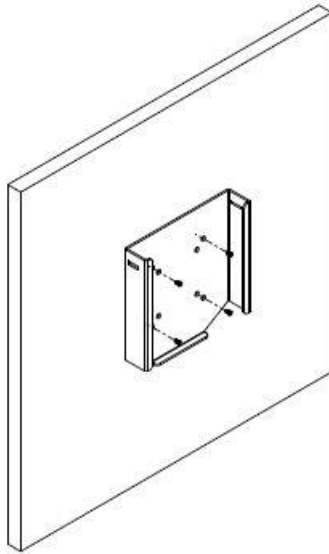
4. Place the MAC® MINI into the mounting bracket as shown below and lock into place. (Rear of MAC® MINI away from the locking plate)



5. Install external cables and dress using Velcro straps provided.

Desk Mounting: (Through-hole)

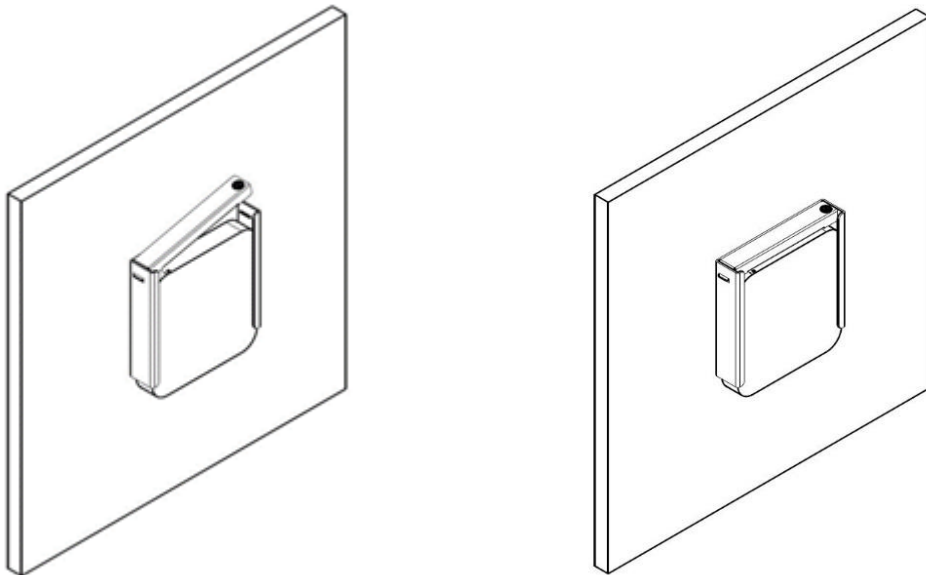
1. Using the Rocmount MM mounting bracket, place at the location where the bracket is to be mounted and mark the four mounting-hole locations you are going to use.



2. Using a 5/32 or .140 drill, drill four holes into the desk or mounting surface.
3. Install the mounting bracket using the hardware provided: Screw 8-32 X 1-1/8" L Pan Head PH 4 each, OR Screw 8-32 X 1-1/2" L Pan Head Phillips 4 each, #8 Split Lock

Washer 4 each, #8 Flat Washer 8 each, #8 Hex Nut Self Locking 4 each as shown and tighten hardware.

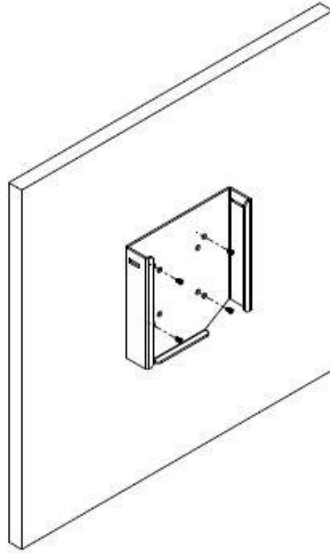
4. Place the MAC® MINI into the mounting bracket as shown below and lock into place. (Rear of MAC® MINI away from the locking plate)



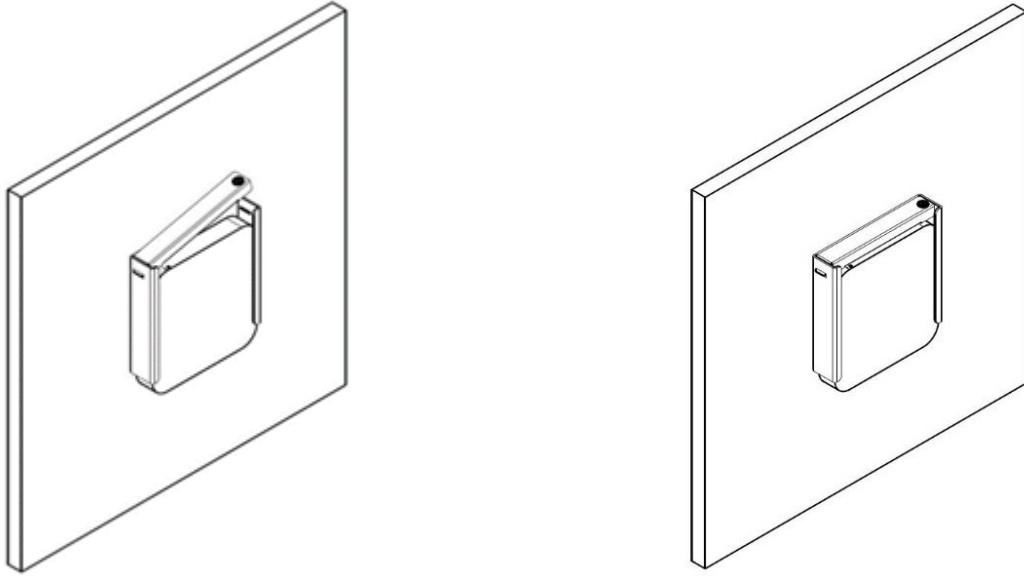
5. Install external cables and dress using Velcro straps provided.

Desk Mounting: (Wood Screws)

1. Using the Rocmount MM mounting bracket, place at the location where the bracket is to be mounted and mark the four mounting-hole locations you are going to use.



2. Using a 1/16 drill as a pilot drill, drill four pilot holes into the desk or mounting surface.
3. Install the mounting bracket using the hardware provided: #8-18 X 5/8" PH Rd HD Woodscrew OR # 8-18 X 3/4" L Sheet Metal Screw as shown.
4. Place the MAC® MINI into the mounting bracket as shown below and lock into place. (Rear of MAC® MINI away from the locking plate)



5. Install external cables and dress using Velcro straps provided.

Rocstor

12979 Arroyo Street, 2nd Floor

San Fernando, CA 91304

Tel: + 1.818.727.7000

www.Rocstor.com

Apple and Mac are trademarks of Apple Inc., registered in the U.S. and other countries.