

**Vertical Cable Organizer with D-Ring Hooks - 6 ft (34" Length X2)
Steel frame and Plastic Rings - Black**

User Manual

Y10E052-B1

Introduction

Rocstor Universal Vertical Cable Organizer with D-Ring Hooks - 6 ft (two 3 ft. sections) Vertical Cable Management Panel - 0U - This 6 ft vertical cable management panel is split into two 3 ft. sections, helping to eliminate cable stress in your rack and providing easier equipment access - 40U cable management panel - 6 foot (two 34" Length) D-Ring Cable Panel - Steel frame and Plastic Rings - Black

Requirements

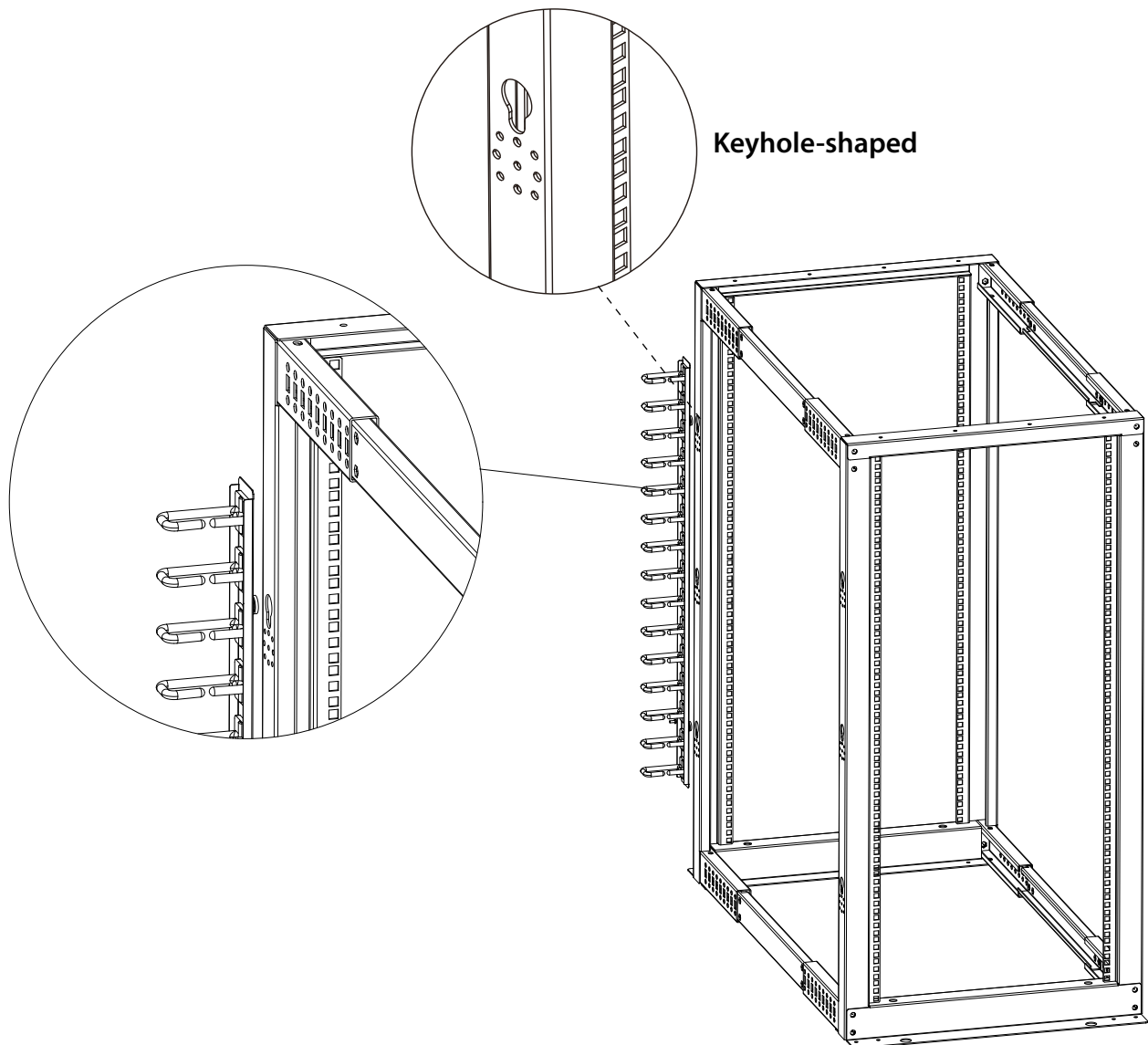
A Phillips screwdriver is necessary when relocating or removing the mounting buttons or Dring hooks.

Tool-less installation

Attaching the cable organizers to a server rack or cabinet does not require any tools if you are not moving the mounting buttons or D-ring hooks.

Note: The cable organizers can be attached to either the outside or the inside of the server rack or cabinet.

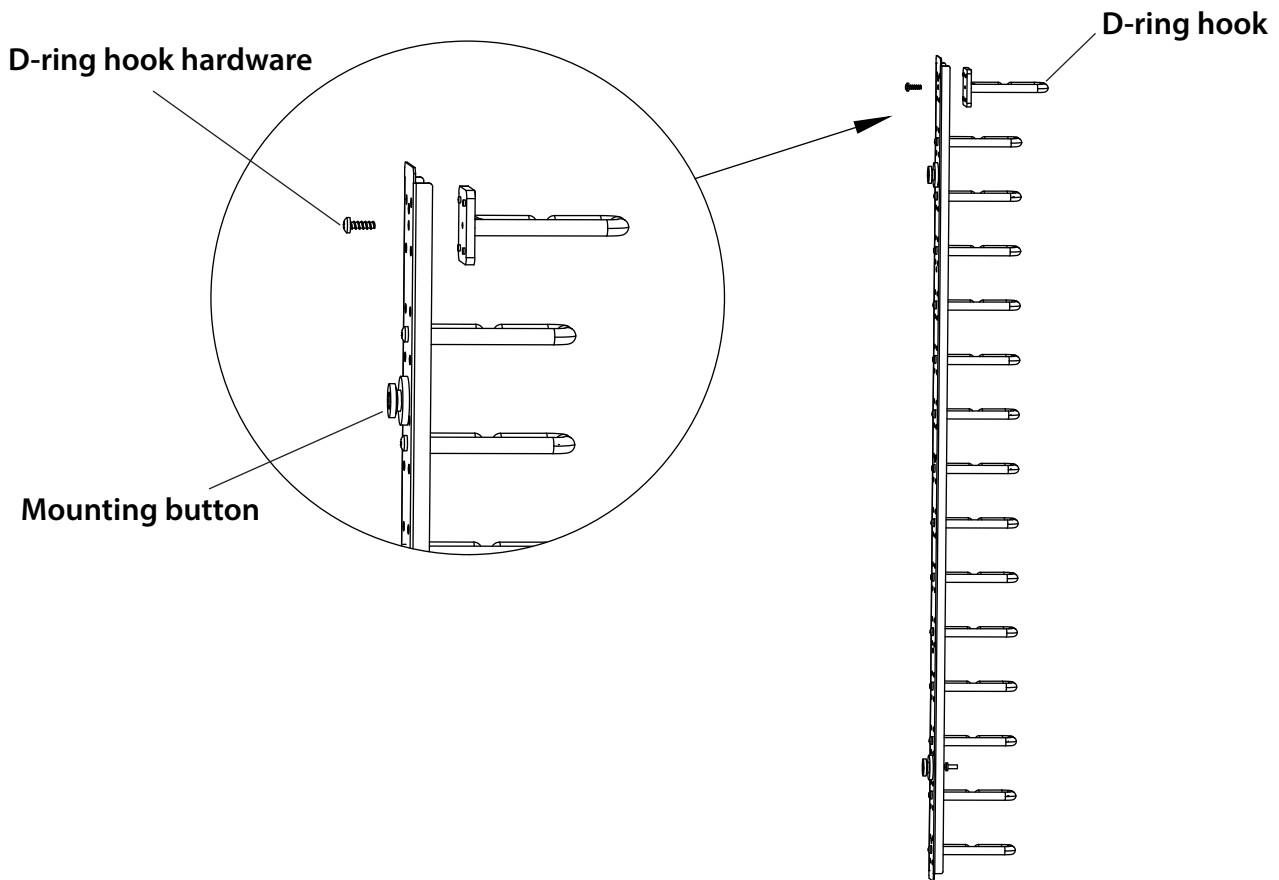
- Attach the cable organizers to the server rack or cabinet so that the mounting buttons fit into the keyhole-shaped mounting holes on the server rack or cabinet.



Installation Guide

D-ring hooks removal instruction

- Using a Phillips screwdriver, remove the D-ring hook hardware from the back of the cable organizer. Remember to store the D-ring hooks and hardware in a secure place for future use.



If your server rack lacks keyhole-shaped mounting holes, you will need to remove the mounting buttons or two D-ring hooks. Then, utilize the provided hardware to attach the cable organizer to your server rack.

Mounting buttons removal instructions

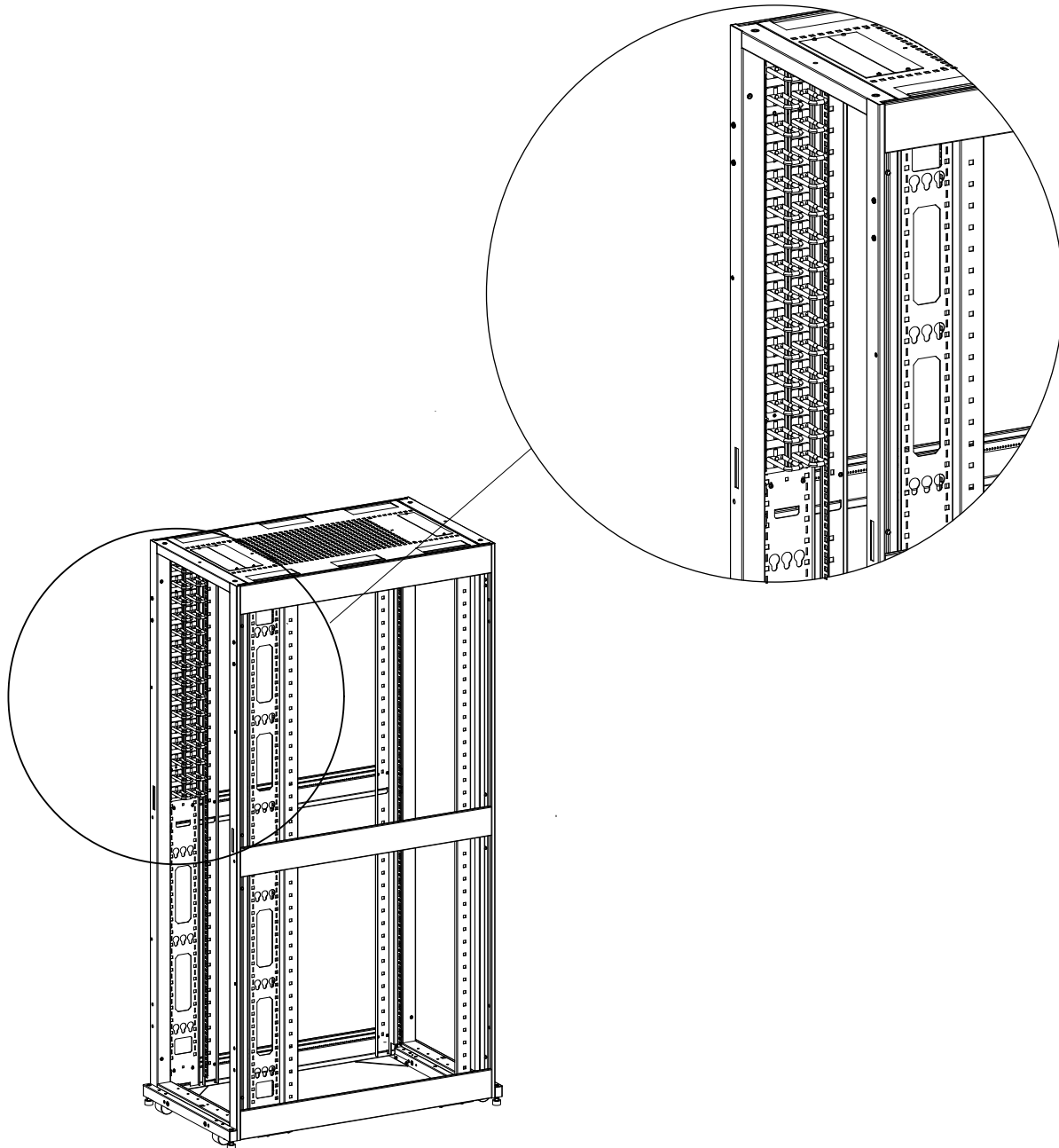
If you want to use the holes that the mounting buttons are in to attach the cable organizer to your server rack, you need to remove the mounting buttons.

- Use a Phillips screwdriver to remove the screws from the mounting buttons.

Note: Make sure that you store the mounting buttons and screws in a safe place so that you can use them again.

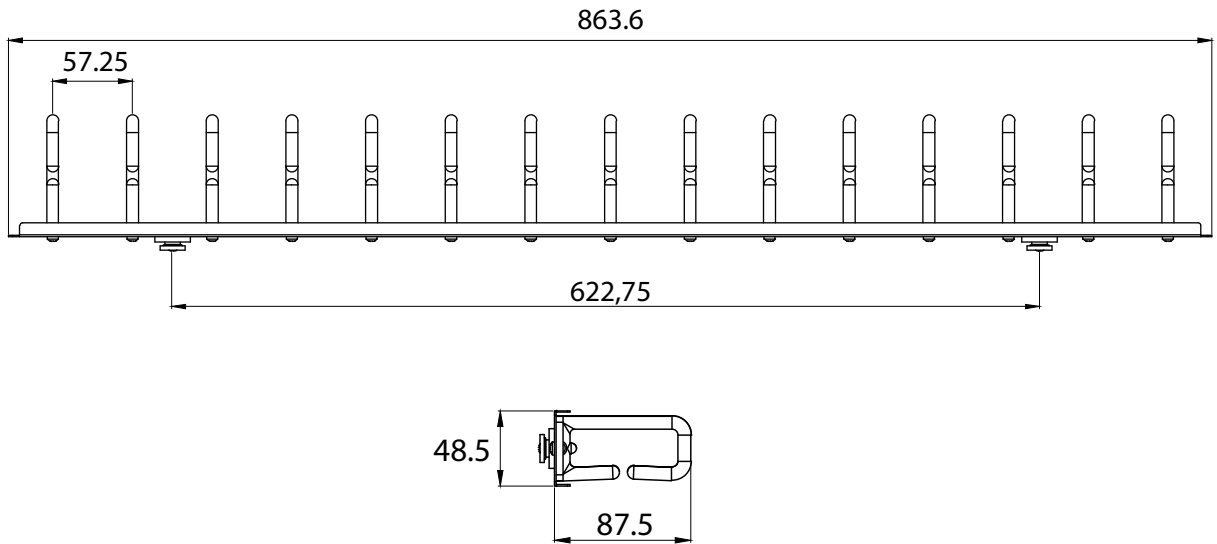
Instruction Guide

The following images demonstrate various installation options.



Measurements

Dimension Unit : Millimeter (mm)



Five-Year Factory Warranty

Rocstor provides a Limited Factory Warranty which applies to products you have purchased for commercial or industrial use in the ordinary course of your business.

Terms of warranty

Rocstor warrants its SolidRack product series to be free from defects in materials and workmanship for a period of five years from the date of purchase. Rocstor's obligation under this warranty coverage is limited to repairing or replacing, at its sole discretion, any such defective products. This warranty does not apply to equipment that has been damaged by accident, negligence, or misapplication or has been altered or modified in any way. In the event Rocstor repairs or provide a replacement of a defective product or part, the warranty does not extend the original warranty period. Rocstor reserves the right to repair or replace any parts under warranty as new or factory re manufactured.

Non-transferable warranty

This warranty extends only to the original purchaser who must have properly registered the product. The product may be registered at the Rocstor Web site, [https://rocstor.com/customer-support/warranty registration](https://rocstor.com/customer-support/warranty-registration).

Exclusions

If Rocstor tests or examines the alleged defect in the product and finds that the damages or defects do not exist or were caused by a third party or an end user's misuse, improper installation or testing, or negligence, then Rocstor shall not be liable under the warranty. Furthermore, unauthorized attempts to repair or modify the product by wrong or inadequate electrical connection or voltage, inadequate or inappropriate site operation conditions, repair, installation corrosive area or atmosphere, a change in location or operating conditions or use, repair by non-Rocstor designated personnel, exposure to the elements, fire, Acts of God, theft, or equipment installation not recommended or contrary to Rocstor's specifications or recommendations. Warranties will be void and Rocstor will not be liable if the product serial number is tampered with, altered, removed, defaced or any other cause beyond the range of intended use.

Contact Information

Corporate Headquarters

12979 Arroyo Ave
San Fernando, CA 91340 - USA

Office: +1 (818) 727-7000
Fax: +1 (818) 875-0002
Email: info@Rocstor.com

Technical Support / RMA

Hours: 9:00 am - 5:00 pm PST
Mon - Fri (excluding holidays)

Tell: +1 (818) 727-7000 (Domestic and Internationals)
Fax: +1 (818) 875-0002
Email: support@Rocstor.com

Sales Info

Hours: 8:00 am - 5:00 pm PST
Mon - Fri (excluding holidays)

Tell: +1 (818) 727-7000 (Domestic and Internationals)
Fax: +1 (818) 875-0002
Email: support@Rocstor.com

Corporate, Government and Academic Customers

Our Corporate Sales Team's goal is to help our U.S.A. and Canadian customers find a storage solution that best serves their needs. We will help you determine your best purchasing options. For more information please contact the appropriate department below or call us at +1 (818) 727-7000.

General sales information:	sales@Rocstor.com
Corporate sales information:	corporate_sales@Rocstor.com
Educational sales information:	academic_sales@Rocstor.com
Federal, State & Local government sales information:	government_sales@Rocstor.com

Resellers/Business Development/OEM Partners

All Channel National and International Resellers, VARs, Consultants ...

contact Rocstor Channel Sales: call: +1 (818) 727-7000
Email: reseller_info@Rocstor.com