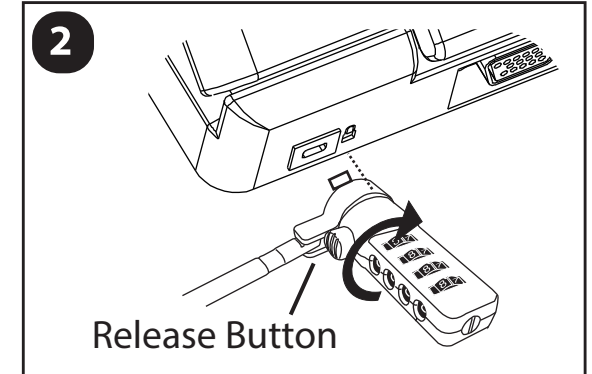
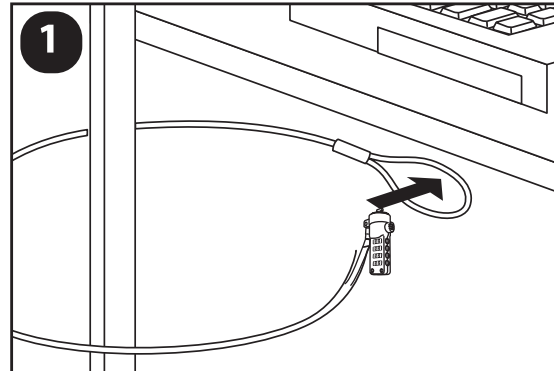


Congratulations,

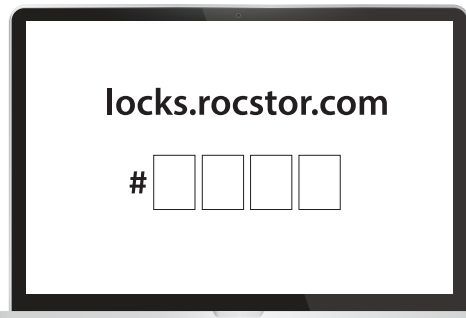
On your new Rocbolt® Combination Laptop Security Lock. Rocbolt® locks are the easiest and most reliable way to secure your notebook computer and other devices with the combination lock option.

LOCK



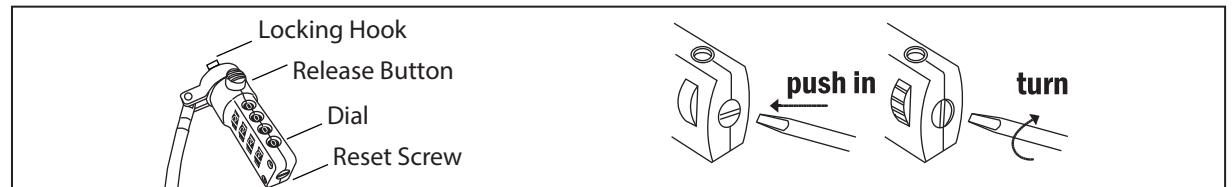
Rocbolt Security Lock Register & Access

Enregistrement et accès au verrou de sécurité Rocbolt
Registro y acceso a la cerradura de seguridad Rocbolt



1. Select an object in the room to which you will secure your notebook computer with the Rocbolt Cable Lock.
Choose a large, heavy piece of furniture such as table or desk or an irremovable fixture
2. Take the looped end of the cable and wrap it around the selected object.
3. Feed the lock through the looped end of the cable as shown.
4. Press and hold the Release Button, then insert the Locking Hook into the locking slot of your notebook or your device.
5. Release the Button and Turn the dials to conceal your combination.

RESET COMBINATION



1. The factory preset combination is 0-0-0-0.
2. Turn the Dials to the preset combination of 0-0-0-0.
3. Turn the Reset Screw 90° clockwise with a small flathead screw driver, paper clip or a similar tool.
4. Choose a desired 4-digit combination number, then turn the Dials and set your desired number.
5. To help remember your personalized combination code, please register your Lock and Code online at www.rocstor.com/locks
6. Rotate the reset screw 90 degrees counterclockwise, back to its original vertical position to save the new combination.

Technical Support

Technical support is available to all registered users of Rocstor products. Technical Support contact information can be found on www.rocstor.com

Telephone Support

There is no charge for technical support except long-distance charges where applicable. Please visit www.rocstor.com Monday to Friday 9:00 am to 6:00 pm Pacific Standard Time.

Technical Support

United States: +1 818 727 7000

Canada: +1 877 855 1126

Please note the following when calling support:

Be prepared to provide the following information:

- Name, address, and telephone number
- The name of the Rocstor Rocbolt product
- Symptoms of the problem and how it led to this issue

Limited Two Year Warranty

Rocstor warrants this product against defects in material and workmanship for two years. Rocstor will supply, at its option, comparable new and rebuilt replacements for defective parts and will pay the labor charges to repair the product found to be defective. The dated bill of sale as evidence of the original purchase price along with the defective product is required.

